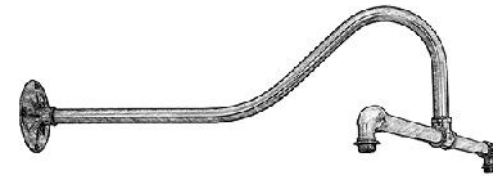
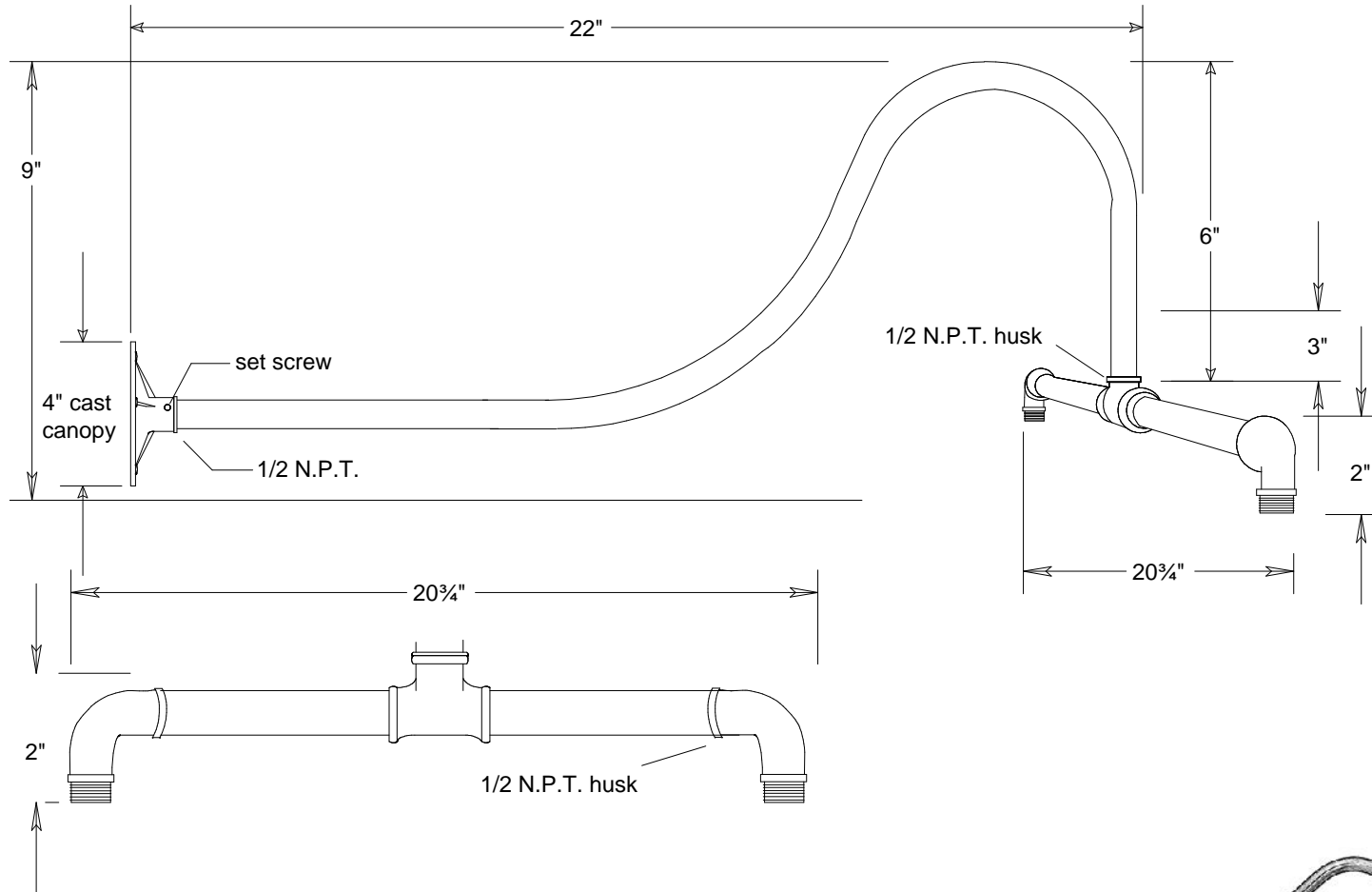




Primelite Manufacturing Corp

407 S Main St, Freeport, NY 11520
 Phone: 516-868-4411 | Fax: 516-868-4609
 sales@primelite-mfg.com | www.primelite-mfg.com

PART # #865	LAMP n/a	VOLTAGE n/a	COLOR Powder Coated Paint
JOB NAME			TYPE Wall Mount Arm



Unless Otherwise Specified: Dimensions in Inches Tolerances: Fractional ± Angular: Mach ± Bend ± Two Place Decimal ± Three Place Decimal ±		Name	Date	Gooseneck Arm #865		
	Drawn	lv	12/01/17			
	Checked			2 Shades 22" Arm 1/2" Pipe 8" Drop Wall Mount		
	ENG Appr.					
	MFR Appr.			Size	Drawing No.	Rev
QA			A	0001	A	
Construction: Aluminum	Comments		Scale	CAD File	Sheet	1 of 1

Revisions				
Zone	Rev	Description	Date	Approved