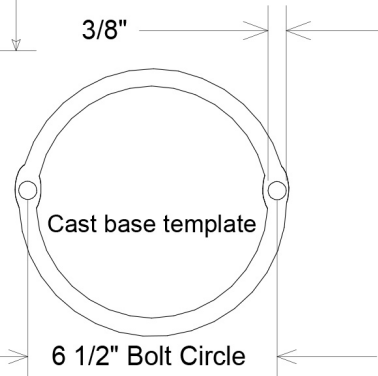


#7700 Post Series



Unless Otherwise Specified:

Dimensions in Inches
Tolerances: Fractional ±
Angular: Mach ± Bend ±
Two Place Decimal ±
Three Place Decimal ±

Construction: All Aluminum

6 1/2" bolt circle base

	Name	Date
Drawn	iv	02/21/17
Checked		
ENG Appr.		
MFR Appr.		
QA		
Comments	CAD Generated Drawing Do Not Manually Update	

Primelite Mfg Corp

516-868-4411

#7700 Post Series

**Cast Aluminum Base
Extruded Aluminum Top | Fluted
Height 6' - 12' | Gauge .050**

Size	Drawing No.	Rev
A	0001	A
Scale	1:9	CAD File
Sheet	1 of 1	