

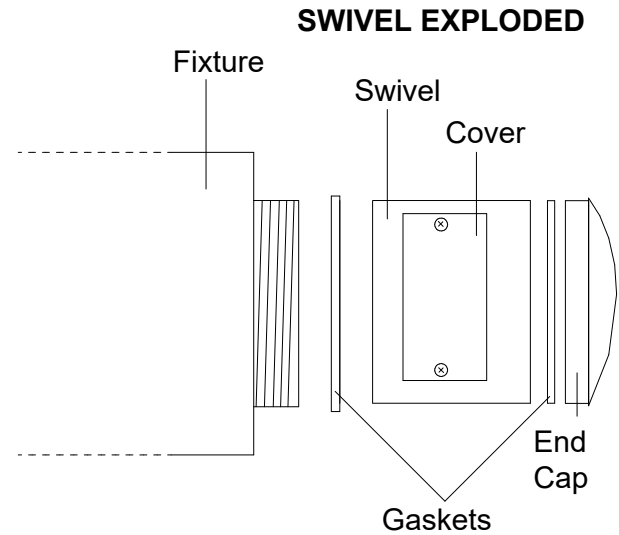
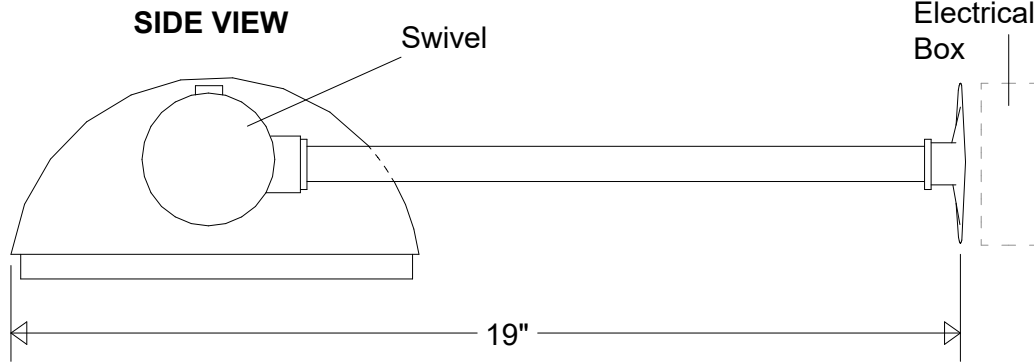
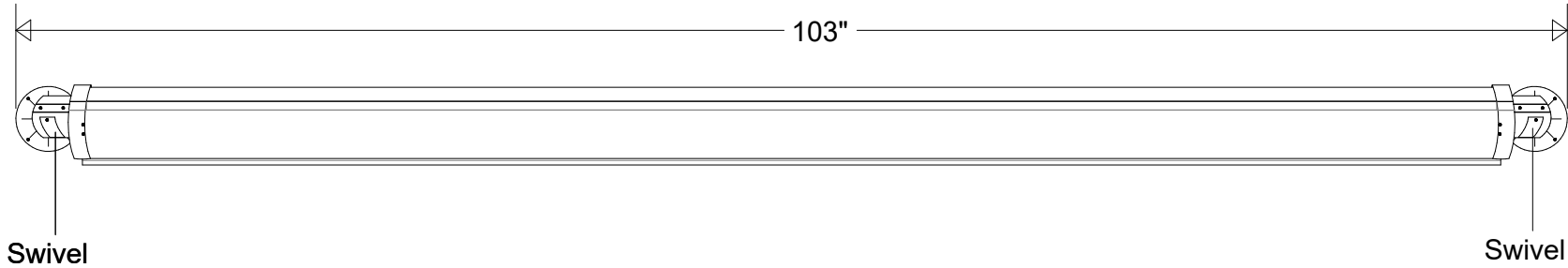


# Primelite Manufacturing Corp

407 S Main St, Freeport, NY 11520

Phone: 516-868-4411 | Fax: 516-868-4609  
 sales@primelite-mfg.com | www.primelite-mfg.com

<b>PART #</b> #5796	<b>LAMP</b> LED	<b>VOLTAGE</b> 120 V	<b>COLOR</b> Powder Coated White Paint
<b>JOB NAME</b>			<b>TYPE</b> Linear Sign Light



<b>Lamp: LED 52 (LED 26 X 2)</b>	<b>Name</b>	<b>Date</b>	<b>Sign Light #5796 LED 52</b>
Drawn	CB	10/19	
Checked			
ENG Appr.			
MFR Appr.			103" W   7" H   19" Ext 35K = 8020 Lm   50K = 8220 Lm
Construction: Aluminum	QA		Size <b>A</b>   Drawing No. <b>0001</b>   Rev <b>A</b>
Unless Otherwise Specified: Dimensions in Inches	Weight	Scale	CAD File   Sheet <b>1 of 1</b>

Revisions				
Zone	Rev	Description	Date	Approved