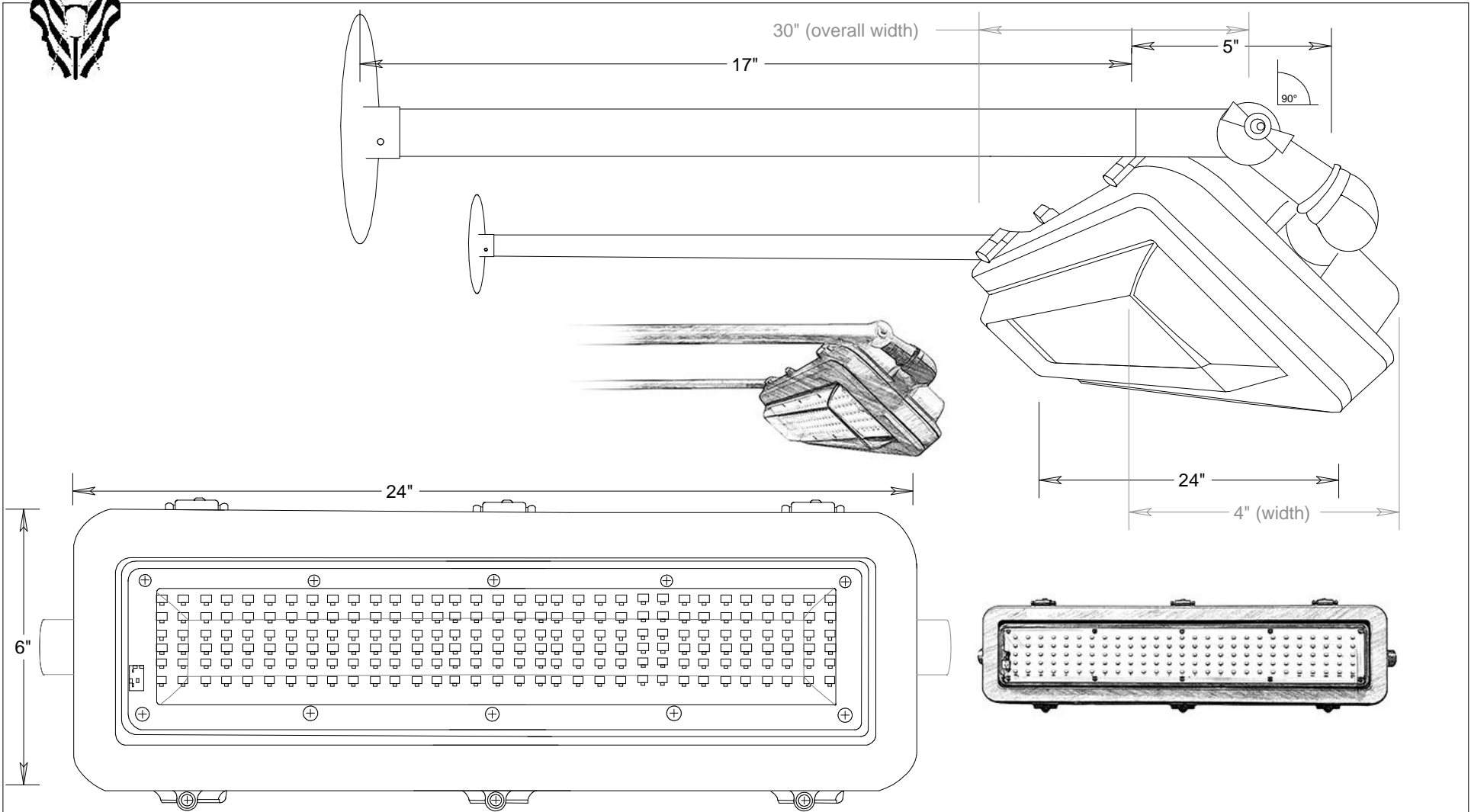




Primelite Manufacturing Corp

407 S Main St, Freeport, NY 11520
 Phone: 516-868-4411 | Fax: 516-868-4609
 sales@primelite-mfg.com | www.primelite-mfg.com

PART #	LAMP	VOLTAGE	COLOR
JOB NAME			TYPE



Unless Otherwise Specified: Dimensions in Inches Tolerances: Fractional ± Angular: Mach ± Bend ± Two Place Decimal ± Three Place Decimal ±	Name	Date	<h2>Sign Light #5724/855 LED</h2> <p>6" x 12" x 4" Head 17" Arm 90° Swivel</p> <p>LED47 = 175 MH LED66 = 250 HM</p>	
	Drawn	lv		11/15/17
	Checked			
	ENG Appr.			
Construction: Aluminum	MFR Appr.		Size A Drawing No. 0001 Rev A	
Lamp: 1 X LED47 LED66	QA		Scale CAD File Sheet 1 of 1	
	Comments	CAD Generated Drawing Do Not Manually Update		

Revisions				
Zone	Rev	Description	Date	Approved