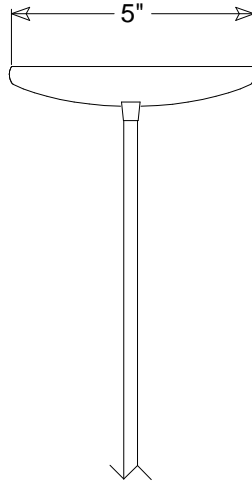
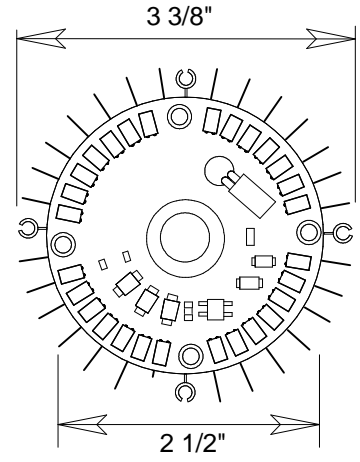


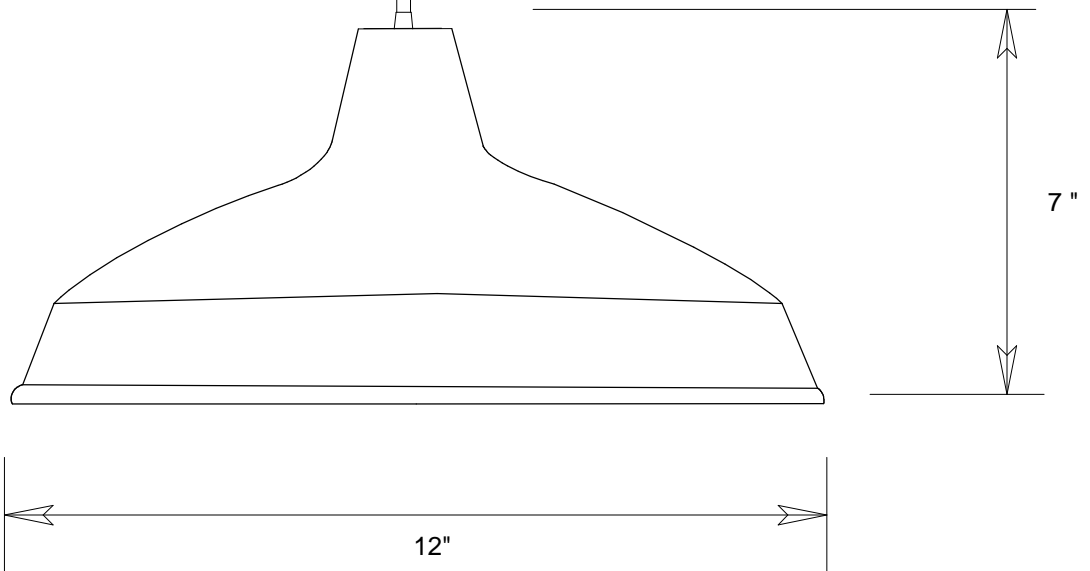
LED22



10 ft.



LED12



Unless Otherwise Specified:

Dimensions in Inches
 Tolerances: Fractional ±
 Angular: Mach ± Bend ±
 Two Place Decimal ±
 Three Place Decimal ±

Construction: steel

Lamp: 1 x LED12 | LED22

	Name	Date
Drawn	lv	10/03/17
Checked		
ENG Appr.		
MFR Appr.		
QA		
Comments		
CAD Generated Drawing Do Not Manually Update		

primelite-mfg.com

Primelite Mfg. Corp.			516-868-4411
#23/12 LED			
Size	Drawing No.	Rev	
A	0001	A	
Scale	CAD File	Sheet	1 of 1