

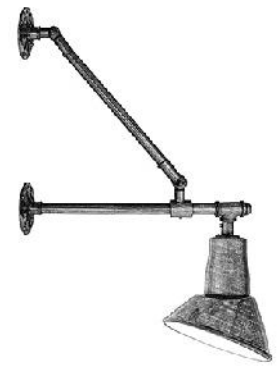
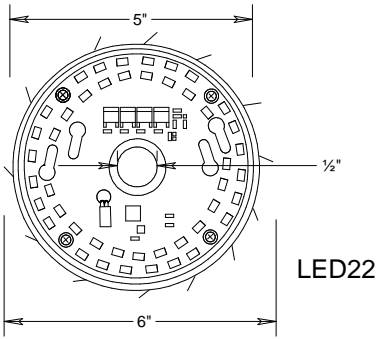
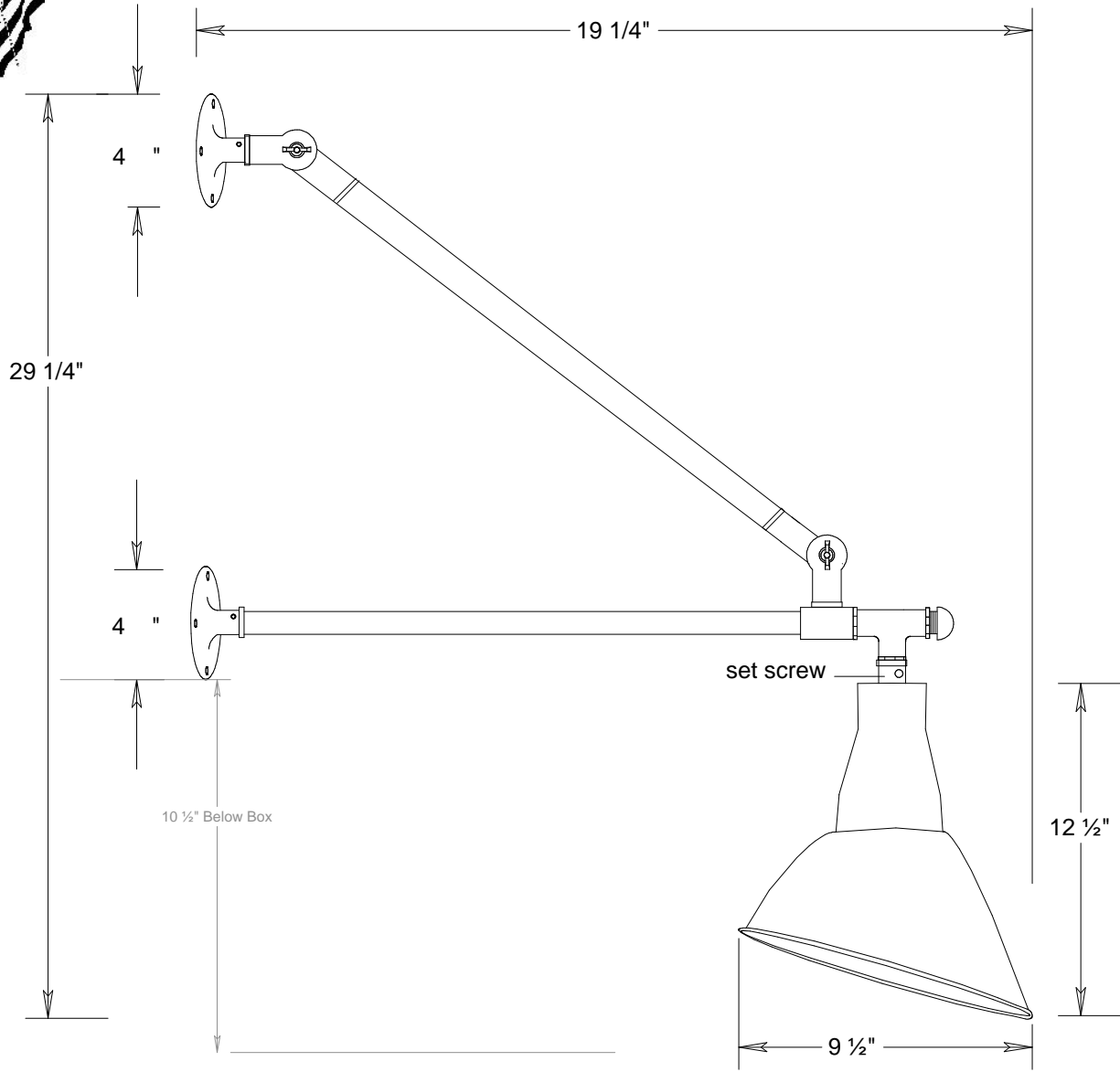


Primelite Manufacturing Corp

407 S Main St, Freeport, NY 11520

Phone: 516-868-4411 | Fax: 516-868-4609
 sales@primelite-mfg.com | www.primelite-mfg.com

PART #	LAMP	VOLTAGE	COLOR
JOB NAME			TYPE



Unless Otherwise Specified: Dimensions in Inches Tolerances: Fractional ± Angular: Mach ± Bend ± Two Place Decimal ± Three Place Decimal ±	Name		Date		<h2>Gooseneck #20/875 LED22</h2>															
	Drawn	iv	12/11/17																	
	Checked				9 1/2" Dia Shade 17" Arm 10 1/2" Below Box															
	ENG Appr.				<table border="1"> <thead> <tr> <th colspan="2">Revisions</th> <th>Date</th> <th>Approved</th> </tr> </thead> <tbody> <tr> <td>Zone</td> <td>Rev</td> <td>Description</td> <td></td> </tr> <tr> <td></td> <td></td> <td></td> <td></td> </tr> </tbody> </table>					Revisions		Date	Approved	Zone	Rev	Description				
Revisions		Date	Approved																	
Zone	Rev	Description																		
Construction: Aluminum	MFR Appr.		Size	Drawing No.	Rev															
	QA		A	0001	A															
Lamp: 1 x LED22 (1800 Lumens)	Comments		Scale	CAD File	Sheet	1 of 1														