



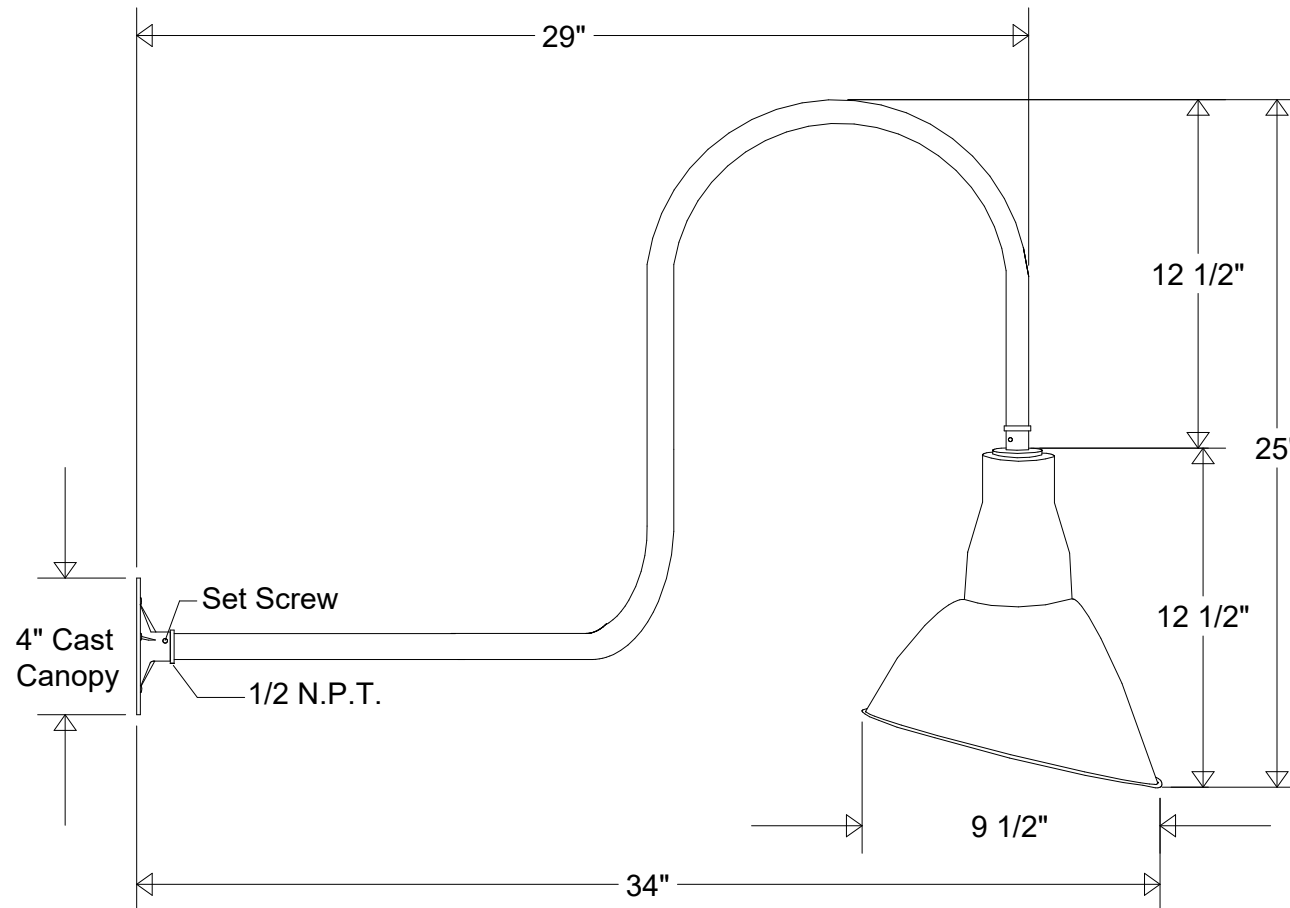
# Primelite Manufacturing Corp


407 S Main St, Freeport, NY 11520

Phone: 516-868-4411 | Fax: 516-868-4609

sales@primelite-mfg.com | www.primelite-mfg.com

<b>PART #</b> #20/851	<b>LAMP</b> Incandescent	<b>VOLTAGE</b> 120 V	<b>COLOR</b> Powder Coated Paint
<b>JOB NAME</b>			<b>TYPE</b> Gooseneck



<b>Lamp: Incandescent</b> Max Wattage: 1/200A 	<b>Name</b>	<b>Date</b>	<b>Gooseneck #20/851</b>			
	<b>Drawn</b>	CB				6/2020
	<b>Checked</b>			9 1/2" Dia   34" Ext   25" H		
	<b>ENG Appr.</b>					
	<b>MFR Appr.</b>			<b>Size</b>	<b>Drawing No.</b>	<b>Rev</b>
<b>Construction: Aluminum</b>	<b>QA</b>		<b>A</b>	<b>0001</b>	<b>A</b>	
<b>Unless Otherwise Specified:</b> Dimensions in Inches	<b>Weight</b>		<b>Scale</b>	<b>CAD File</b>	<b>Sheet</b> 1 of 1	

Revisions				
Zone	Rev	Description	Date	Approved