



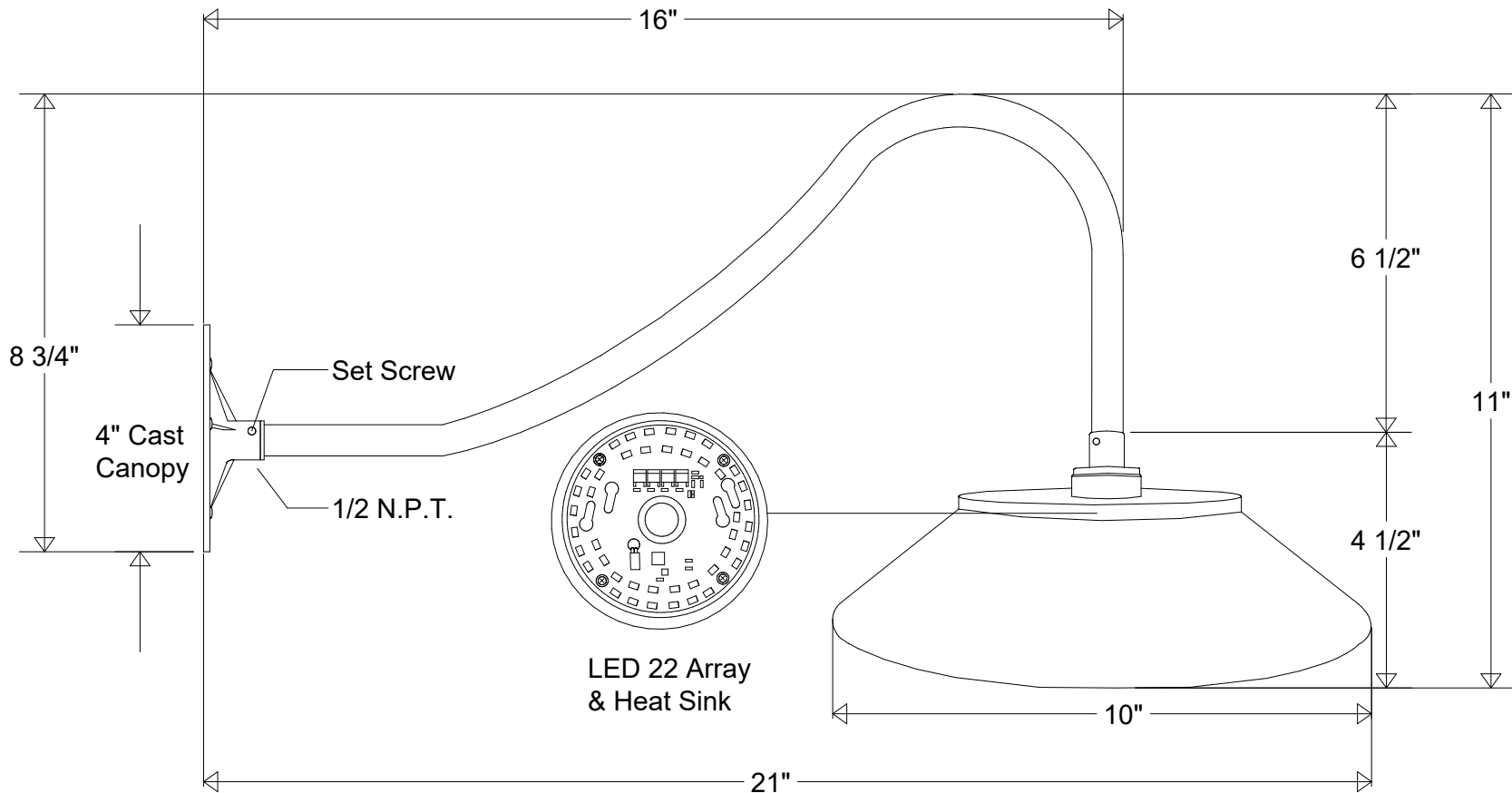
Primelite Manufacturing Corp

407 S Main St, Freeport, NY 11520

Phone: 516-868-4411 | Fax: 516-868-4609

sales@primelite-mfg.com | www.primelite-mfg.com

PART # #12/10-859	LAMP Built-In LED	VOLTAGE 120 V	COLOR Powder Coated Paint
JOB NAME			TYPE Gooseneck



Lamp: LED 22 Array
1800 Lumens | 100 W Inc Equivalent



Name	Date	Gooseneck #12/10-859 LED 22		
Drawn	CB	1/2020	10" Dia 21" Ext 11" H	
Checked				
ENG Appr.			Size	Drawing No.
MFR Appr.			A	0001
QA			Rev	A
Weight			Scale	CAD File
			Sheet	1 of 1

Revisions				
Zone	Rev	Description	Date	Approved