

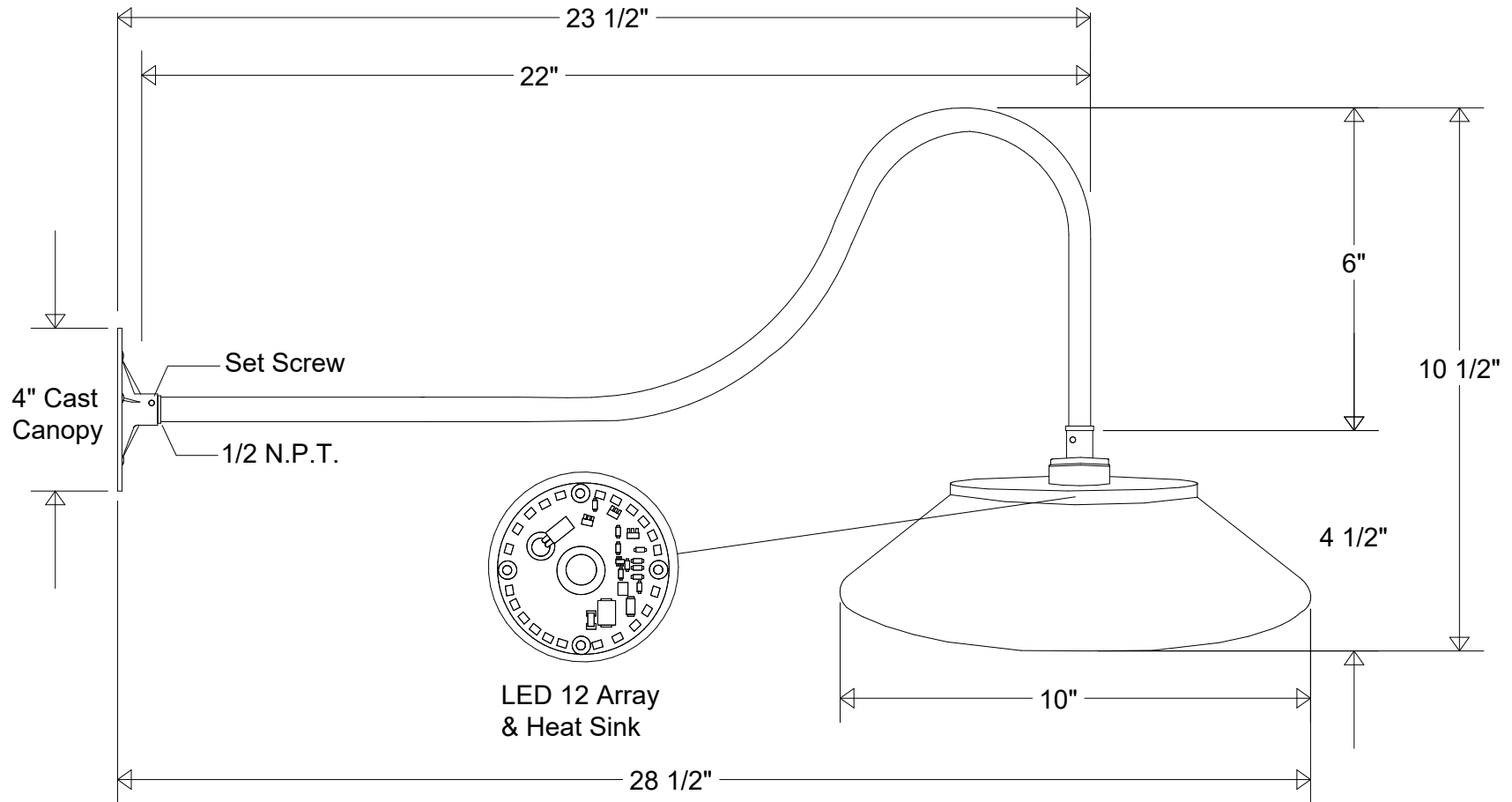


# Primelite Manufacturing Corp

407 S Main St, Freeport, NY 11520

Phone: 516-868-4411 | Fax: 516-868-4609  
 sales@primelite-mfg.com | www.primelite-mfg.com

<b>PART #</b> #12/10-850	<b>LAMP</b> Built-In LED	<b>VOLTAGE</b> 120 V	<b>COLOR</b> Powder Coated Paint
<b>JOB NAME</b>			<b>TYPE</b> Gooseneck



**Lamp: LED 12 Array**  
800 Lumens | 60 W Inc Equivalent



	Name	Date	Gooseneck #12/10-850 LED 12		
Drawn	CB	1/2020	10" Dia   28 1/2" Ext   10 1/2" H		
Checked					
ENG Appr.					
MFR Appr.					
Construction: Aluminum	QA		Size	Drawing No.	Rev
Unless Otherwise Specified: Dimensions in Inches	Weight		<b>A</b>	<b>0001</b>	<b>A</b>
			Scale	CAD File	Sheet
					<b>1 of 1</b>

Revisions				
Zone	Rev	Description	Date	Approved