

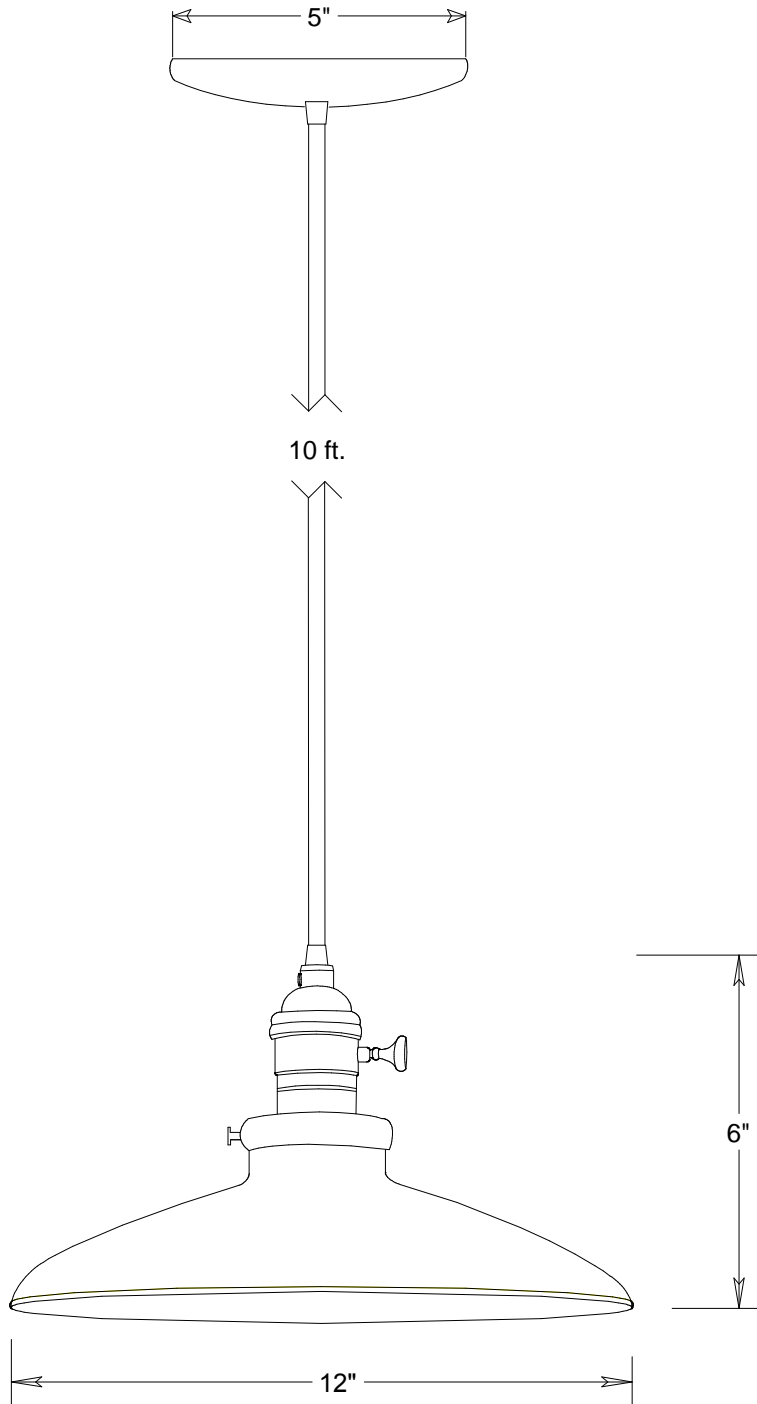


# Primelite Manufacturing Corp

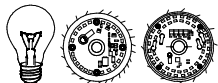
407 S Main St, Freeport, NY 11520

Phone: 516-868-4411 | Fax: 516-868-4609  
 sales@primelite-mfg.com | www.primelite-mfg.com

<b>PART #</b> #112/12	<b>LAMP</b> Incandescent   LED	<b>VOLTAGE</b> 120V	<b>COLOR</b> Powder Coated Paint
<b>JOB NAME</b>			<b>TYPE</b> Pendant



Lamp: Incandescent | LED



1/100A | LED12 | LED22

Construction: Aluminum

Unless Otherwise Specified:  
Dimensions in Inches

Name	Date	Pendant #112/12		
Drawn iv	06/07/18	12" Pendant   10' Vinyl Cord   Turn Switch		
Checked				
ENG Appr.				
MFR Appr.				
QA		Size <b>A</b>	Drawing No. <b>0001</b>	Rev <b>A</b>
Comments		Scale	CAD File	Sheet <b>1 of 1</b>

Revisions				
Zone	Rev	Description	Date	Approved